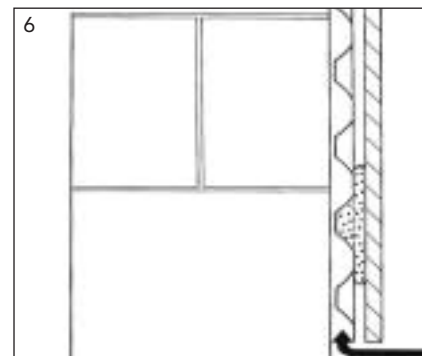
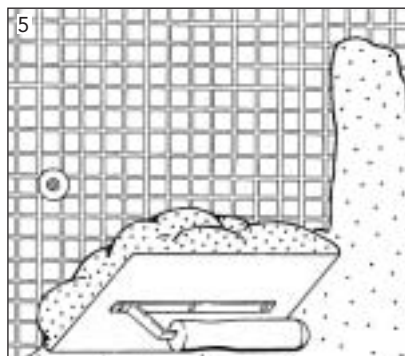
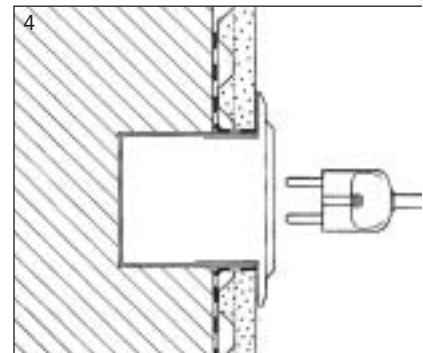
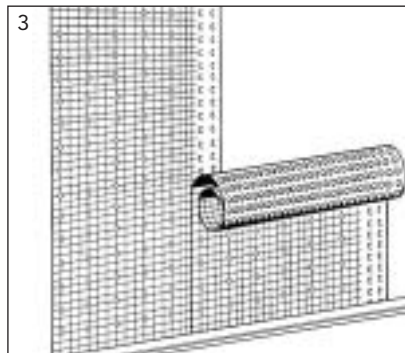
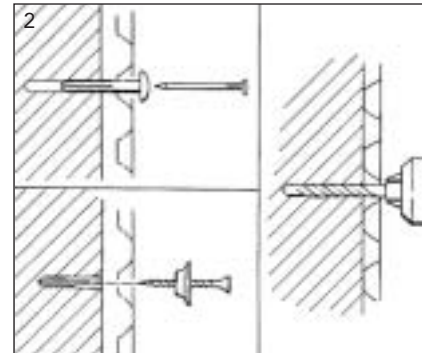
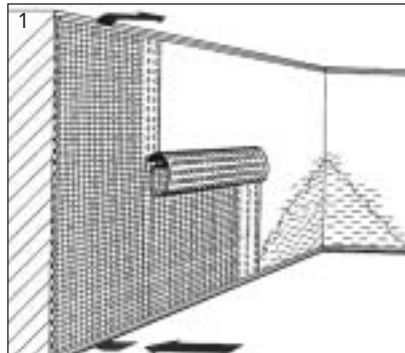


DELTA®-PT

Installation Instructions

- 1. Install DELTA®-PT vertically. Use plugs to fix DELTA®-PT-PROFIL strips to the upper and lower sheet edges. For easier cleaning, DELTA®-PT-PROFIL may be attached above any skirting that may be present.
- 2. Fixing plugs should be spaced approx. 25 cm apart both horizontally and vertically. Start in the centre of each sheet and work towards the sides. If you drill into a void in the wall, use a DELTA® Rope sealing compound to seal the hole so as to avoid bridging.
- 3. Sheets should overlap by approx. 20 cm along the mesh-free edge. These sheet sections should be fixed with DELTA®-PT Plug after the edges have been fitted together, sealed and inserted into the DELTA®-PT-PROFIL strip.
- 4. There should be no bridges between the plaster and the damp cellar wall. Reinforce and seal butt joints in corners. Apply DELTA® Mastic compound to protect protrusions for pipes, electric sockets, doors, etc.
- 5. Plaster should be trowel applied in two coats. Do not apply the second coat before the first has initially set. Suitable coats include plaster (not in rooms where water is splashed about and relative humidity exceeds 90% continuously) and render (use only low-tension material and added fibres into the outer layer when covering relatively large areas so as to avoid shrinkage cracking).
- 6. Do not use DELTA®-PT-PROFIL with plasterboard panels. To enable the moisture-laden air to circulate, leave a gap 1 cm wide below the ceiling and above the floor.



You will find detailed installation instructions for DELTA®-PT on the internet at www.doerken.de in the form of a PDF file for you to print out and save.

■ Refurbishment system

■ For render and plaster coats

■ For interior application

Fax: +49 23 30/63-355

Dörken GmbH & Co. KG
 Wetterstraße 58
 D-58313 Herdecke

Request for tender DELTA®-PT

Item No.	Qty.	Specifications	Price/Unit	Price Total
1 l.m.	DELTA®-PT-PROFIL (manufacturer: Dörken GmbH & Co. KG, D-58311 Herdecke) to be attached to the top and bottom wall edges with plastic fixing plugs spaced approx. 75 cm apart.		
2 m ²	Check wall surface, remove any loose plaster, and fill up any major voids with mortar. Cover with DELTA®-PT (manufacturer: Dörken GmbH & Co. KG, D-58311 Herdecke) and attach sheets with plastic fixing Plugs arranged horizontally and vertically in conformance with the manufacturer's instructions. Dry lining should be installed so that a gap no less than 1 cm wide is left along the ceiling and the floor. For plaster-covered walls use DELTA®-PT-PROFIL.		
3 each/l.m.	Protect openings for pipes, windows, doors, electric sockets, etc. from bridging either by applying DELTA® Mastic sealing compound.		
4 m ²	Cover the wall with plaster/render in accordance with the manufacturers recommendations, to a minimum two coat thickness of approx. 15 mm (up to the DELTA®-PT-PROFIL edge).		
5 m ²	To attach plasterboard panels, apply dabs of adhesive spaced 25 cm apart on the head of each DELTA®-PT fixing plug.		